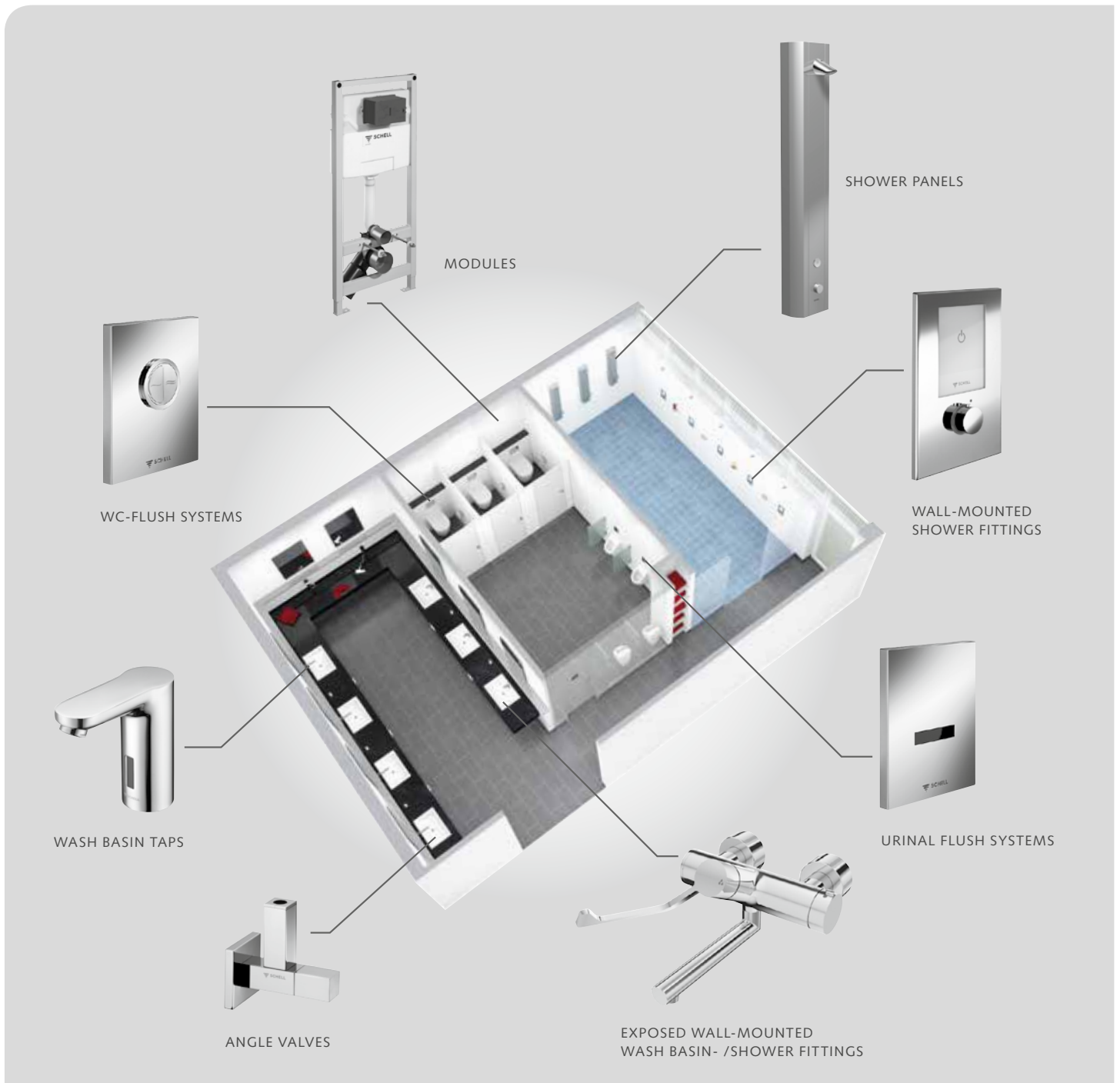




**For professional sanitary rooms.  
Wall-mounted systems. By SCHELL.**



## SCHELL *inside*. System solutions from the expert.

SCHELL should be where robust, hygienic and resource-saving solutions are in demand: in public, semi-public and commercial sani-

tary rooms where high usage is present. Whether in schools, hotels, stadiums or service areas and maybe also in your project soon.

Wall-mounted systems. By SCHELL.

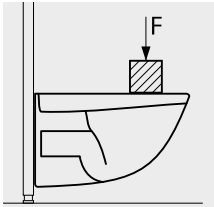
Installation technology for modern sanitary rooms

SCHELL is a recognised manufacturer of innovative flush systems and has also made a good name for itself in the field of electronically controlled sanitary fittings. SCHELL offers the right installation technology for each of these products. You will always make the right choice with SCHELL whether it's for private or public sanitary facilities, washbasins, showers or WCs, for dry construction or wet construction.

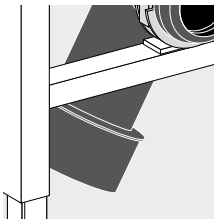
SCHELL wall-mounted systems offer modules for dry construction in post-and-beam structures (wood or metal) or for wet construction.

**A complete range with innovative detailed solutions.**

Installation technology in detail

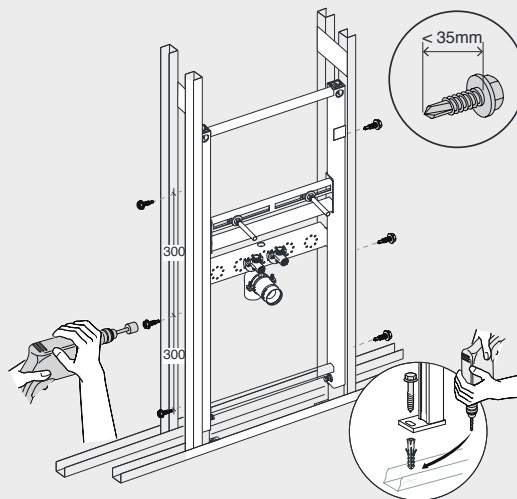


**WC load test**  
400 kg  
In conformity with  
DIN EN 997



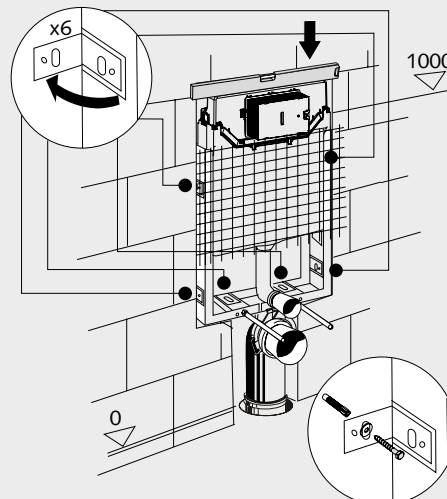
**WC connection adapter**  
Ø 90/110 mm

Installation examples dry construction



**Mounting within a post-and-beam structure - dry construction.**  
For the screwing into a lightweight post-and-beam structure.

Installation examples wet construction





WC module MONTUS (Type C 80)  
BH 115 cm with pre-assembled concealed  
cistern 8 cm  
**Dry construction**



WC module MONTUS (Type C-N 120)  
with pre-assembled concealed cistern  
12 cm  
**Wet construction**



WC module MONTUS (Type C 120)  
BH 115 cm with pre-assembled con-  
cealed cistern 12 cm  
**Obstruction-free with load-bearing  
modules**

**MONTUS Module für alle Anforderungen. Von SCHELL.**

**Dry construction**

SCHELL offers an extensive range of products to suit every type of installation whether for modules in free-standing or wall-mounted installation. The module is a self-supporting sectional steel frame structure with height adjustable feet. The surface of the sectional frame is powder coated.

The new cistern modules MONTUS also enable the wall mounting system to be fine-tuned toolfree by using the SCHELL wall mounting set. The drainpipe is adjustable in depth. Due to the delayed filling process, a water saving of approx. 0.5 liters is achieved per full flush. SCHELL modules MONTUS are delivered with an extra silent filling valve of noise class 1.

**Wet construction**

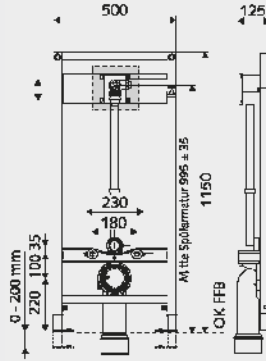
For this traditional method of installation, SCHELL offers modules for the WC and urinal. The u-shaped mounting frame is not self-supporting and must therefore be underpinned. The surface of the steel frame is galvanized. For an Userfriendly Fixation SCHELL offers wet construction feets.

**Obstruction-free**

A special WC mounting module was developed for this application with a construction width of 420 mm; when combined with two load-bearing modules (total width of 240 mm each) it is ideally suited to withstanding the loads that WC grip handles are subjected to. The narrow construction width of the WC module (420 mm) is also advantageous for limited locations. The WC fixtures are 320 mm high off the top of the prefab floor.



WC MODULE

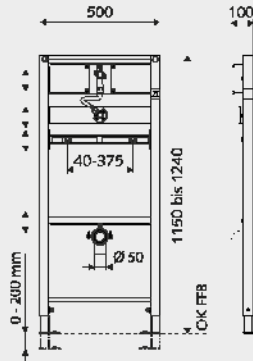


**SCHELL WC module MONTUS  
BH 115 cm**

- With pre-assembled COMPACT II WC flush valve
- For mechanical and electronic actuation
- Actuation of the flush by SCHELL WC control EDITION E or WC operating panels (see page 6)

**Order number: 03 076 00 99**

URINAL MODULE

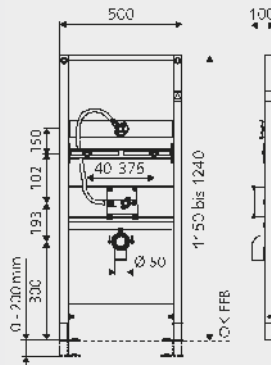


**SCHELL urinal module MONTUS  
BH 115 cm**

- With pre-assembled COMPACT II WC flush valve
- For mechanical and electronic actuation.
- Actuation of the flush by SCHELL urinal control EDITION E or urinal operating panels EDITION (see page 7)
- Adjustable up to a maximum height of 1240 mm

**Order number: 03 075 00 99**

URINAL MODULE



**SCHELL urinal module MONTUS  
BH 115 cm**

- With pre-assembled COMPACT II LC urinal flush valve
- For a completely concealed installation behind the urinal. The concealed flush valve can also be positioned under the urinal
- Actuation of the flush by SCHELL urinal control COMPACT LC (siehe Seite 7)
- Adjustable up to a maximum height of 1240 mm

**Order number: 03 089 00 99**



- SCHELL WC control EDITION E MANUAL**
- 3 – 9 l, flush adjustable
  - front panel with sensor window and push-button for manual activation
  - remote release with WC switch module single flush/dual flush possible\*
  - bistable cartridge solenoid valve 6 V
  - cartridge with jet cleaning needle
  - front panel/surface: stainless steel

**Order number: 01 546 28 99\***  
**01 015 28 99 (eSCHELL)**



- SCHELL WC control EDITION E**
- 3 – 9 l, flush adjustable
  - front panel with sensor window
  - remote release with WC switch module single flush/dual flush possible\*
  - bistable cartridge solenoid valve 6 V
  - cartridge with jet cleaning needle
  - front panel/surface: stainless steel

**Order number: 01 548 28 99\***  
**01 016 28 99 (eSCHELL)**



- SCHELL WC operating panel EDITION**
- 4,5 – 9 l, flush adjustable
  - front panel plastic/stainless steel
  - surfaces: chrome, alpine white, stainless steel

**Order number: 02 802 06 99/02 802 15 99/  
02 803 28 99**

**Low pressure:**

**Order number: 02 815 06 99/02 815 15 99/  
02 815 28 99**



- SCHELL WC operating panel EDITION ECO**
- 4,5 – 9 l, flush adjustable
  - economy button 3 l
  - front panel plastic/stainless steel
  - surfaces: chrome, alpine white, stainless steel

**Order number: 02 804 06 99/02 804 15 99/  
02 805 28 99**

**Low pressure:**

**Order number: 02 814 06 99/02 814 15 99/  
02 814 28 99**



- SCHELL WC operating panel EDITION ECO 100**
- operating panel for WC flush valve with low installation depth
  - 4,5 – 9 l, flush adjustable

**Order number: 02 825 06 99**

**Low pressure:**

- 4,5 – 6 l, flush adjustable

**Order number: 02 824 06 99**



**SCHELL urinal control EDITION E MANUAL**

- with additional manual actuation
- battery operation/mains operation
- with electronic solenoid valve
- front panel: stainless steel

**Order number: 01 288 28 99**



**SCHELL urinal operating panel EDITION**

- urinal cartridge with pre-filter
- front panel: plastic/stainless steel
- surfaces: chrome, alpine white, stainless steel

**Order number: 02 800 06 99/02 800 15 99/  
02 801 28 99**



**SCHELL urinal control EDITION E**

- battery operation/mains operation
- with electronic solenoid valve
- surfaces: chrome, alpine white, stainless steel

**Battery operation: Order number  
02 806 06 99/02 806 15 99/02 807 28 99**

**Mains operation: Order number  
02 808 06 99/02 808 15 99/02 809 28 99**

**eSCHELL: Order number 00 230 06 99/  
00 230 15 99/00 231 28 99**



**SCHELL urinal control COMPACT LC**

- All-purpose applicable siphon flush control
- battery operation/mains operation
- E-module and battery compartment for assembly in urinal flush valve COMPACT II

**Battery operation: Order number 01 196 00 99**

**Mains operation: Order number 01 197 00 99**



**SCHELL urinal control RETROFIT LC**

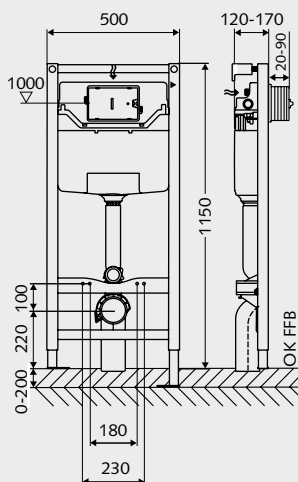
- All-purpose applicable siphon flush control also suitable for retrofit of existing construction
- battery operation/mains operation
- E-module and battery compartment for assembly in urinal flush valve COMPACT II

**Battery operation: Order number 01 285 00 99**

**Mains operation: Order number 01 286 00 99**



CISTERN MODULE



**SCHELL WC modul MONTUS (Type C 120)**  
BH 115 cm with concealed cistern 12 cm

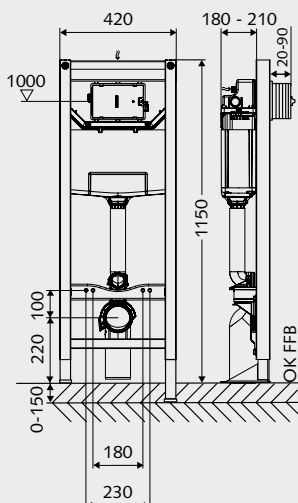
- the mechanical and electronic actuation of the flush by SCHELL WC operating panels (see page 11)

**Order number: 03 056 00 99**

- with wall mounting set MONTUS 03 071 00 99, WC sound-insulation mat and HDPE outlet bend Ø 90 mm

**Order number: 03 057 00 99**

CISTERN MODULE barrier free

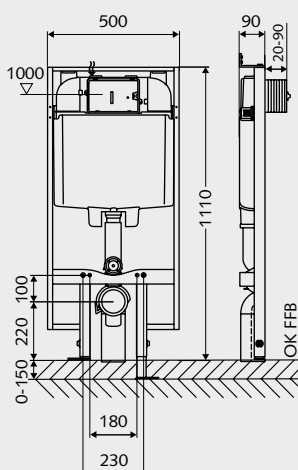


**SCHELL WC module MONTUS (TypeCS 120)**  
BH 115 cm with concealed cistern 12 cm

- special feet for safest mounting on unfinished floor
- for barrier free WC's
- the mechanical and electronic actuation of the flush by SCHELL WC operating panels (see page 11)

**Order number: 03 066 00 99**

CISTERN MODULE



**SCHELL WC module MONTUS (Type C 90)**  
BH 111 cm with concealed cistern 8 cm

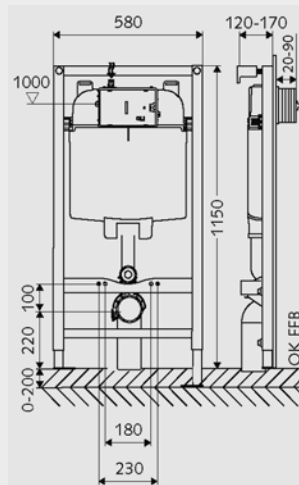
- for flat exposed construction from 9 cm depth
- the mechanical and electronic actuation of the flush by SCHELL WC operating panels (see page 11)

**Order number: 03 061 00 99**





CISTERN MODULE

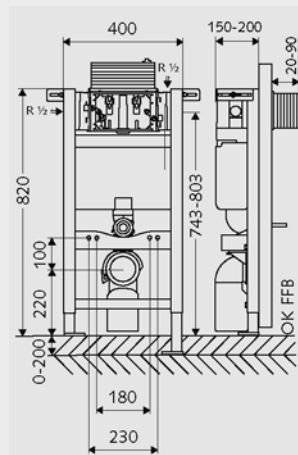


**SCHELL WC module MONTUS (Type C 80)**  
BH 115 cm with concealed cistern 8 cm

- the mechanical and electronic actuation of the flush by SCHELL WC operating panels (see page 11)

**Order number: 03 062 00 99**

CISTERN MODULE



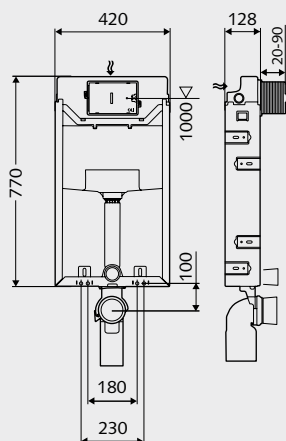
**SCHELL WC module MONTUS (Type 820 C)**  
BH 82 cm with concealed cistern 15 cm

- for operation from above or from ahead
- the mechanical and electronic actuation of the flush by SCHELL WC operating panels (see page 11)

**Order number: 03 060 00 99**



CISTERN MODULE

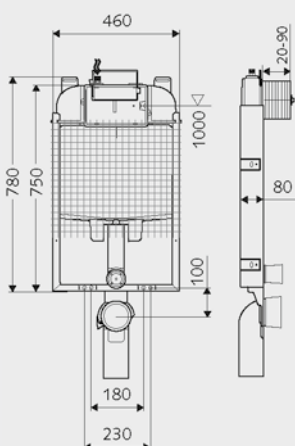


**SCHELL WC module MONTUS (Type C-N 120) with concealed cistern 12 cm**

- the mechanical and electronic actuation of the flush by SCHELL WC operating panels (see page 11)

**Order number: 03 058 00 99**

CISTERN MODULE

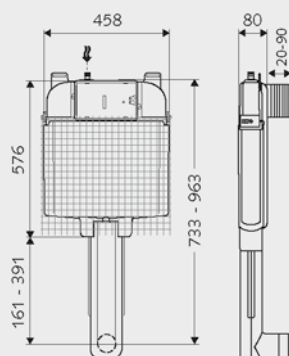


**SCHELL WC module MONTUS (Type C-N 80) with concealed cistern 8 cm**

- for flat construction from 9 cm depth
- the mechanical and electronic actuation of the flush by SCHELL WC operating panels (see page 11)

**Order number: 03 059 00 99**

CISTERN MODULE



**SCHELL WC module MONTUS (Type C 80 n) with concealed cistern 8 cm**

- for flat exposed construction from 9 cm depth
- economical solution without frame
- the mechanical and electronic actuation of the flush by SCHELL WC operating panels (see page 11)

**Order number: 03 064 00 99**



NEW

**SCHELL WC operating panel  
MONTUS CIRCUM**

- function: dual flush
- surfaces: chrome, matt chrome, white

Item No. 03 119 06 99/03 119 64 99/  
03 119 15 99



Discontinued article

**SCHELL WC operating panel LINEAR II**

- function: dual flush
- surfaces: chrome, matt chrome, white

Item No. 03 069 06 99/03 069 64 99/  
03 069 15 99



NEW

**SCHELL WC operating panel  
MONTUS BOARD**

- function: dual flush
- surfaces: chrome, matt chrome, white

Item No. 03 120 06 99/03 120 64 99/  
03 120 15 99



Discontinued article

**SCHELL WC operating panel  
LINEAR round**

- function: dual flush
- surfaces: chrome, matt chrome, white

Item No. 03 068 06 99/03 068 64 99/  
03 068 15 99



NEW

**SCHELL WC operating panel  
MONTUS TOWER**

- function: dual flush
- surfaces: chrome, matt chrome, white

Item No. 03 121 06 99/03 121 64 99/  
03 121 15 99



**SCHELL WC operating panel PLACE**

- function: dual flush
- operating buttons with Braille marking
- surface: stainless steel
- for operation from ahead

Item No. 03 070 28 99

- for operation from above or from ahead
- Item No. 03 078 28 99



NEW

**SCHELL WC operating panel  
MONTUS KONKAV**

- function: dual flush
- surfaces: chrome, matt chrome, white

Item No. 03 122 06 99/03 122 64 99/  
03 122 15 99



NEW

**SCHELL WC operating panel  
MONTUS FIELD**

- vandal resistant zinc die casting execution
- function: dual flush
- surfaces: chrome, matt chrome

Item No. 03 126 06 99/03 126 64 99



NEW

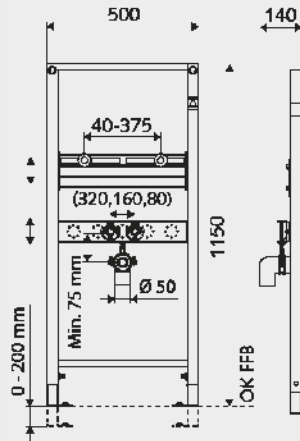
**SCHELL WC operating panel  
MONTUS FIELD E**

- vandal resistant zinc die casting execution
- function: dual flush,  
infrared actuation/manual actuation by  
power failure possible
- surface: chrome

Item No. 03 123 06 99



WASH BASIN MODULE

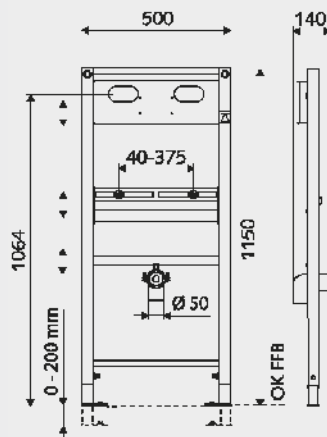


**SCHELL wash basin module MONTUS BH 115 cm**

- for wash basins with single hole fittings
- brackets are height adjustable
- for SCHELL electronic and mechanical single hole wash basin fittings

Item No. 03 074 00 99

WASH BASIN MODULE

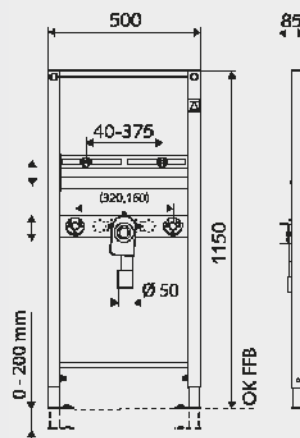


**SCHELL wash basin module MONTUS BH 115 cm**

- for wash basins with wall-mounted draw off taps
- ready for Taking the SCHELL wash basin concealed masterbox LINUS, WBW-SC-V 01 829 06 99, WBW-SC-M 01 828 06 99
- brackets are height adjustable

Item No. 03 088 00 99

WASH BASIN MODULE barrier free



**SCHELL wash basin module MONTUS BH 115 cm**

- for barrier-free applications
- wheelchairs can fit under the wash basin thanks to the preassembled concealed siphon
- brackets are height adjustable
- for SCHELL electronic and mechanical single hole wash basin fittings

Item No. 03 085 00 99



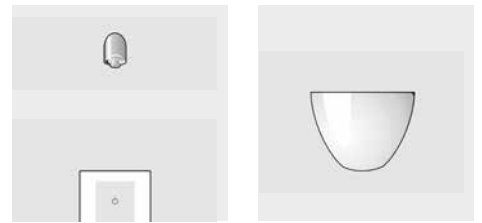
WASH BASIN MODULE HYTWIN



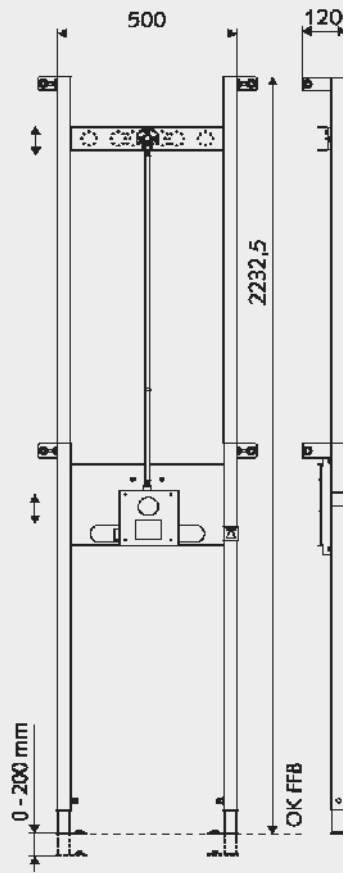
**SCHELL wash basin module HyTwin  
BH 115 cm**

- with integrated HyTwin wall disc box
- brackets are height adjustable
- for SCHELL electronic and mechanical HyTwin wash basin taps

**Item No. 03 052 00 99**



SHOWER MODULE

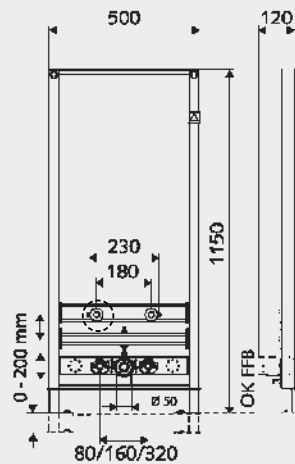


**SCHELL shower module MONTUS  
BH 224,6 cm**

- for SCHELL concealed shower fittings of the LINUS series
- ready for taking the SCHELL concealed masterbox LINUS
- brackets are height adjustable

**Item No. 03 091 00 99**

BIDET MODULE



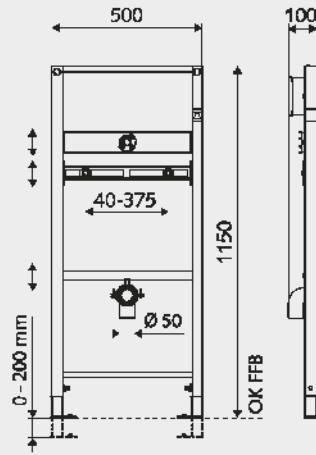
**SCHELL BIDET module  
BH 115 cm**

- suitable for all standard bidets
- angle valve connection adjustable horizontally and vertically
- brackets are height adjustable

**Item No. 03 067 00 99**



URINAL MODULE

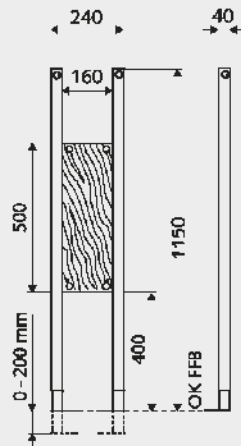


**SCHELL urinal module MONTUS  
BH 115 cm**

- for exposed urinal flush valves of the LINUS series
- brackets are height adjustable
- valve connection G 1/2 int. thread

**Item No. 03 090 00 99**

HIGH LOAD MODULE



**SCHELL high load module  
BH 115 cm**

- for mounting of support rods and support arms, shower seats, shower and bathtub grips, urinal partitions, accessories etc.
- water resistant glued Multiplex fastening plate
- for combination with the concealed cistern module barrier free
- width 240 mm

**Item No. 03 063 00 99**



**SCHELL wall mounting set MONTUS**

- for attachment of WC module MONTUS in dry construction on solid wall
- tool-free depth adjustment
- 3 mm thread raster

range of depth adjustment 12 – 17 cm

**Item No. 03 071 00 99**

range of depth adjustment 15 – 21 cm

**Item No. 03 077 00 99**

**Assembly for all modules MONTUS  
dry construction**

- WC module MONTUS (Type C 120)  
03 056 00 99 or
- WC module MONTUS (Type C 80)  
03 062 00 99 or
- WC module MONTUS (Type CS 120)  
03 066 00 99 or
- High load module (03 063 00 99)



**SCHELL WC mounting feet wet construction**

- accessory for mounting the SCHELL concealed cistern module MONTUS wet construction (03 058 00 99 oder 03 059 00 99)
- non-self supporting function

**Item No. 03 259 00 99**



**SCHELL WC sound-insulation mat**

- for wall-mounted WC and bidet
- sound absorbing acc. to DIN 4109
- incl. protection hose, nut and cover caps
- for compensation backfill between ceramic basin and tiled wall
- UV resistant

**Item No. 03 001 00 99**



**SCHELL PE wall WC flush pipe DN 90/90 mm**

- with double lip seal

**Item No. 29 698 00 99**



**SCHELL PE Adapter DN 90/110 mm**

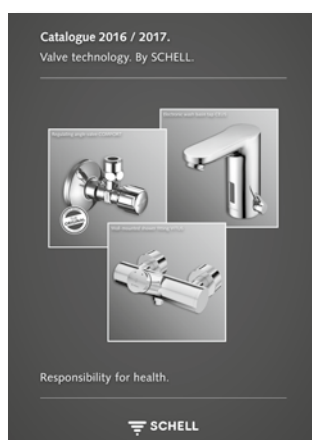
- for PE wall WC flush pipe with double lip seal

**Item No. 29 699 00 99**





The perfect addition: important brochures about wash basin fittings by SCHELL – also available to download.



SCHELL complete catalogue



The company. The products.



Technical manual  
WC and urinal flush systems



Technical manual  
Wash basin fittings



Technical manual  
Shower fittings

Grey header bar at the top of the page. The main body consists of 25 horizontal lines for writing.





SCHELL GmbH & Co. KG  
Armaturentechnologie  
Raiffeisenstraße 31  
57462 Olpe  
Germany  
Tel. +49 2761 892-0  
Fax +49 2761 892-199  
info@schell.eu  
www.schell.eu

