

Article number: 03 085 00 99

Wash basin module MONTUS

Wash basin mounting module, height 115 cm. For stud wall or pre-wall mounting or exposed installation. For wall-mounted, barrier-free wash basins. Self-supporting, powder-coated steel profiled frame with height-adjustable feet and cross bars.

Scope of delivery

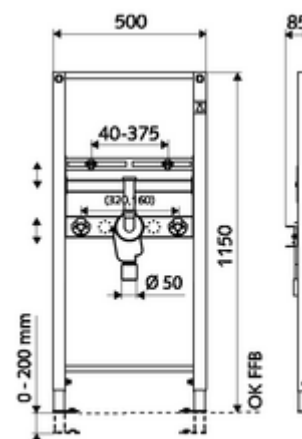
- Wash basin mounting module
 - Cross bar for wash basin attachment 40-375 mm, height-adjustable
 - Galvanised, height-adjustable mounting feet 0 - 20 cm with slip resistance
- Fastening material for wash basin installation (fastening bolts M 12 x 110 mm, protection hose, nuts, flat washers, cover caps)
- Fastening material for installation feet

Technical data

- Material: Frame Steel
- Surface: Frame Powder coat finish
- Dimensions: w 50 cm x h 115 cm
- Waste water connection: Ø 50 mm
- Water connection: 2x DN 15 G 1/2 AG (bottom)
- Waste water outlet: Ø 50 mm/40 mm (by cutting to length)
- Water outlet: 2x DN 15 G 1/2 IG

Delivery data

- Weight: 10,60 kg/Piece
- Packing unit: 1



Necessary associated articles

For exposed installation

MONTUS wall bracket set (120 - 170 mm)

Article no: 03 071 00 99 or

MONTUS wall bracket set (150 - 210 mm)

Article no: 03 077 00 99 or

Hint

- New design