

Article number: 01 954 06 99

Exposed wash basin tap MODUS E HD-K - high-pressure cold water/pre-mixed water

Infrared sensor-controlled. Battery operation.

Scope of delivery

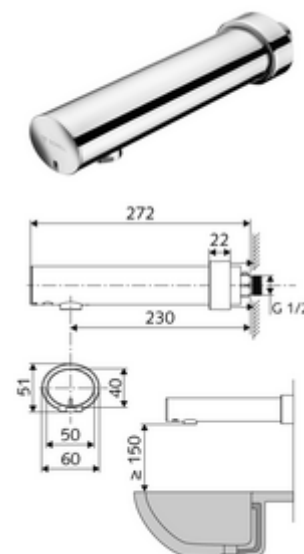
- Infrared sensor wall outlet tap
 - Infrared sensor electronics, programmable
 - 6 V solenoid valve
 - Isolating valve
 - Flow regulator
 - 6 V battery compartment (integrated)
- 4x AA alkaline battery 1.5 V
- Push rosette

Technical data

- Setting options via short range reflex
 - Sensor range area (approx. 2-13 cm)
 - Stagnation flush (off/duration of flow 30 s, 24 h after last use)
 - Cleaning stop (off/120 s)
- Flow: max. 1 gpm \approx 3,8 l/min
- Flow pressure: 0.5 - 5.0 bar
- Max. Resting pressure: 8 bar
- Max. operating temperature: 70 °C (for thermal disinfection 80 °C max. 10 min./day)
- Material: Housing Brass, conform to German drinking water regulations
- Surface: Chrome
- Projection to centre of aerator: 230 mm
- Connection: G 1/2 AG
- Certificates: P-IX 29862/IO, WRAS
- Noise class: I
- Flow class: O

Delivery data

- Weight: 1,22 kg/Piece
- Packing unit: 1



Recommended associated articles

Flow regulator set LEED 1.3 I

Article no: 28 931 06 99