

Article number: 02 142 06 99

Standard valve cold water MODUS K HD-K - high-pressure cold water/pre-mixed water

Compact open/closed tap for hand wash basin.

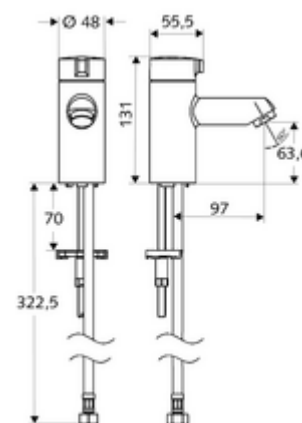


Scope of delivery

- Pillar valve
 - Ceramic head part
- Flexible Clean-Fix S connection hose, G 3/8 IG x 380 mm
- Fastening material for wash basin installation

Technical data

- Flow: max. 5 l/min pressure independent
- Flow pressure: 1.0 - 5.0 bar
- Max. Resting pressure: 8 bar
- Max. operating temperature: 70 °C (80 °C for thermal disinfection)
- Material: Actuation Die-cast zinc; Housing Brass, conform to German drinking water regulations
- Surface: Chrome
- Connection: G 3/8 IG



Delivery data

- Weight: 1,23 kg/Piece
- Packing unit: 1

Recommended associated articles

Flow regulator max. 5.7 l/min pressure-independent, theft-proof	Article no: 02 121 06 99
Angle valve with regulating function COMFORT with filter	Article no: 05 428 06 99 or 99
Angle valve with regulating function COMFORT with filter	Article no: 05 429 06 99 or 99
Wash basin outlet valve OPEN	Article no: 02 002 06 99 or 99
Wash basin outlet valve PUSH OPEN	Article no: 02 000 06 99 or 99