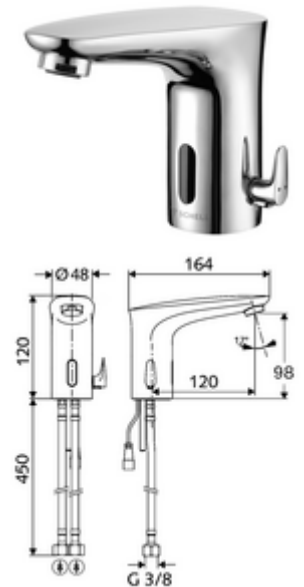


Article number: 02 174 06 99

Electronic wash basin tap MODUS E HD-M - high-pressure mixed water

Infrared sensor-controlled. Battery operation.



Scope of delivery

- Infrared sensor single-hole tap
 - Temperature controller with hot water restrictor
 - Infrared sensor electronics, programmable
 - 6 V solenoid valve with pre-filter
 - Flow regulator
 - Connection cable, 200 mm, with 2-pin plug, protection class IP65
 - 2 flexible connection hoses, G 3/8 IG x 450 mm, with backflow preventer (DIN EN 1717: EB-type) and pre-filter
- 6 V battery compartment, protection class IP65
- 4x AA alkaline battery 1.5 V
- Fastening material for wash basin installation

Technical data

- Setting options via short range reflex
 - Sensor range area (approx. 2-17 cm)
 - Stagnation flush (off/duration of flow 30 s, 24 h after last use)
 - Cleaning stop (off/120 s)
- Flow: max. 1 gpm \approx 3,8 l/min
- Flow pressure: 0.5 - 5.0 bar
- Max. Resting pressure: 8 bar
- Max. operating temperature: 70 °C (temporarily, e.g. for thermal disinfection)
- Material: Brass, conform to German drinking water regulations
- Surface: Chrome
- Connection: 2x G 3/8 IG
- Certificates: P-IX 29853/IO, WRAS applied
- Noise class: I
- Flow class: O

Delivery data

- Weight: 1,86 kg/Piece
- Packing unit: 1

Recommended associated articles

Angle valve thermostat	Article no: 09 414 06 99
Pressure balance valve (PBV)	Article no: 06 558 12 99
Angle valve with regulating function COMFORT with filter	Article no: 05 430 06 99
Flow regulator set LEED 1.3 I	Article no: 28 931 06 99 or