

Article number: 00 287 06 99

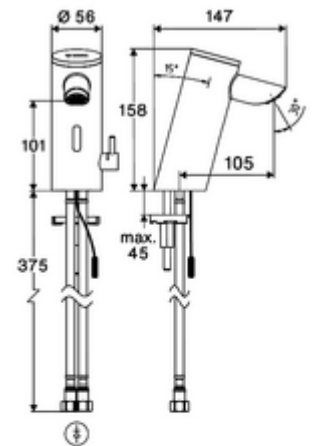
Electronic wash basin tap PURIS E² HD-M - high-pressure mixed water

Contactless, sensor-controlled tap with innovative ToF technology. Insensitive against reflective materials such as mirrors, safety vests, etc. With integrated Bluetooth® interface. Configurable via SCHELL app. Suitable for networking with the SCHELL SWS water management system. Mains operation (transformer plug).



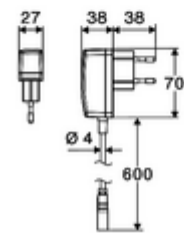
Scope of delivery

- Time-of-flight sensor single-hole tap
 - Temperature controller with hot water restrictor
 - Time-of-flight sensor electronics (ToF) with automatic adjustment of the sensor range
 - 6 V axial solenoid valve with pre-filter
 - Recessed aerator (theft-protected)
 - Connection cable, 220 mm, with 3-pin plug connector, protection class IP65
- Transformer plug 9 VDC, 100-240 VAC, 50-60 Hz
- 2 flexible Clean-Fix S connection hoses, G 3/8 IG x 410 mm, with integrated backflow preventer (EN 1717: EB-type) and pre-filter
- Fastening material for wash basin installation



Technical data

- Setting options via SCHELL App
 - Quick configuration via preset operating modes (save electricity / save water / comfort)
 - Individual settings in expert mode (sensor range, sensor measuring interval, person detection, max. runtime, run-on time)
 - Stagnation flush (off / at intervals / smart demand-based flush taking usage into account / at fixed times [day(s), time])
 - Continuous flush for thermal disinfection, triggering via app (3 - 10 min)
 - Continuous flow, triggering via app (15 - 600 s)
 - Cleaning stop, triggering via app or proximity reflex (off / 60 - 360 s)
- Flow: max. 5 l/min pressure independent
- Flow pressure: 1.0 - 5.0 bar
- Max. Resting pressure: 8 bar
- Max. operating temperature: 70 °C (80 °C for thermal disinfection)
- Material: Housing Brass
- Surface: Chrome
- Connection: 2x G 3/8 IG
- Certificates: PA-IX 10332/IO, DVGW applied
- Noise class: I
- Flow class: O



Delivery data

- Packing unit: 1

Recommended associated articles

Angle valve thermostat	Article no: 09 414 06 99
Angle valve with regulating function COMFORT with filter	Article no: 05 430 06 99
Wash basin outlet valve OPEN	Article no: 02 002 06 99 or

Wash basin outlet valve PUSH OPEN

Article no: 02 000 06 99 or

For mains-supplied fittings

Extension cable

Article no: 51 010 00 99 or

Extension cable

Article no: 51 023 00 99 or

Hint

- Previous Electronic washbasin tap PURIS E 01 214 06 99 expected to be available until II. quarter 2025.