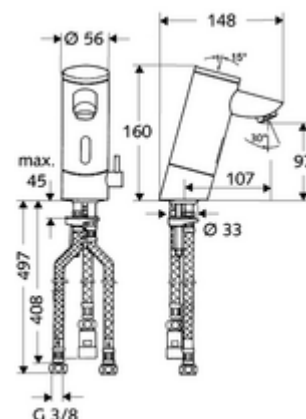


Article number: 01 202 06 99

## Electronic wash basin tap PURIS E ND-M - low pressure mixed water

Infrared sensor-controlled. Battery operation. Suitable for networking with the SCHELL SWS water management system. Configurable via SCHELL Single Control SSC. For open hot water storage tanks.



### Scope of delivery

- Infrared sensor single-hole tap
  - Temperature controller
  - Infrared sensor electronics, programmable
  - 6 V solenoid valve with pre-filter
  - Flow regulator
  - 6 V battery compartment (integrated)
- 4x AAA alkaline battery 1.5 V
- Pre-filter with flow restrictor
- 3 flexible Clean-Fix S connection hoses, G 3/8 IG x 380/500 mm
- Fastening material for wash basin installation

### Technical data

- Setting options via SWS SSC
  - Sensor range (short/medium/long)
  - Programming via short range reflex (off/on)
  - Max. flow time (1-360 s)
  - Follow-up time (0.6-60 s)
  - Stagnation flush (off/5-600 s, every 1-240 h after last flush/every 1-240 h)
  - Continuous flush for thermal disinfection, with anti-scalding protection (off/15-600 s)
  - Duration of flow (off/15-600 s)
  - Energy saving mode (off/1-254 h after last flush)
  - Cleaning stop (off/60-360 s)
- Setting options via short range reflex
  - Sensor range (short/medium/long)
  - Stagnation flush (off/30 s, every 24 h after last flush/every 24 h)
  - Continuous flush for thermal disinfection, with anti-scalding protection (off/300 s/120 s)
  - Cleaning stop (off/60 s)
- Flow: max. 5 l/min pressure independent
- Flow pressure: 1.0 - 5.0 bar
- Max. operating temperature: 70 °C (80 °C for thermal disinfection)
- Material: Housing Brass, conform to German drinking water regulations
- Surface: Chrome
- Connection: 3x G 3/8 IG
- Certificates: P-IX 9524-I
- Noise class: I

### Delivery data

- Weight: 2,38 kg/Piece
- Packing unit: 1

### Recommended associated articles

SSC Bluetooth® module	Article no: 00 916 00 99
Angle valve with regulating function COMFORT with filter	Article no: 05 430 06 99

### Hint