

Article number: 01 211 06 99

Electronic wash basin tap PURIS E HD-M - high-pressure mixed water

Infrared sensor-controlled. Mains operation (transformer plug). Suitable for networking with the SCHELL SWS water management system. Configurable via SCHELL Single Control SSC. With extended outlet 140 mm.



Scope of delivery

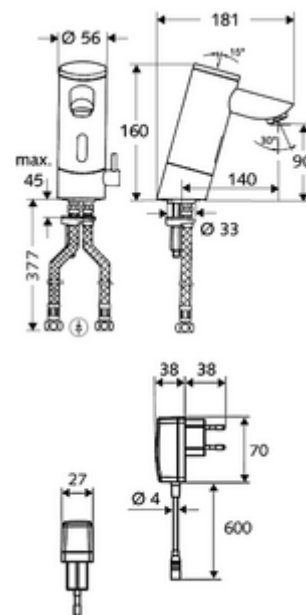
- Infrared sensor single-hole tap
 - Temperature controller
 - Infrared sensor electronics, programmable
 - 6 V solenoid valve with pre-filter
 - Flow regulator
- Transformer plug 9 VDC, 100-240 VAC, 50-60 Hz
- 2 flexible Clean-Fix S connection hoses, G 3/8 IG x 380 mm, with integrated backflow preventer (EN 1717: EB-type) and pre-filter
- Fastening material for wash basin installation

Technical data

- Setting options via SWS SSC
 - Programming via short range reflex (off/on)
 - Sensor range (short/medium/long)
 - Max. flow time (1-360 s)
 - Stagnation flush (off/5-600 s, every 1-240 h after last flush/every 1-240 h)
 - Continuous flush for thermal disinfection, with anti-scalding protection (off/15-600 s)
 - Duration of flow (off/15-600 s)
 - Energy saving mode (off/1-254 h after last flush)
 - Cleaning stop (off/60-360 s)
- Setting options via short range reflex
 - Sensor range (short/medium/long)
 - Stagnation flush (off/30 s, every 24 h after last flush/every 24 h)
 - Continuous flush for thermal disinfection, with anti-scalding protection (off/300 s/120 s)
 - Cleaning stop (off/60 s)
- Flow: max. 5 l/min pressure independent
- Flow pressure: 1.0 - 5.0 bar
- Max. Resting pressure: 8 bar
- Max. operating temperature: 70 °C (80 °C for thermal disinfection)
- Material: Housing Brass, conform to German drinking water regulations
- Surface: Chrome
- Connection: 2x G 3/8 IG
- Certificates: P-IX 9523-I, Belgaqua
- Noise class: I

Delivery data

- Weight: 2,66 kg/Piece
- Packing unit: 1



Recommended associated articles

SSC Bluetooth® module

Article no: 00 916 00 99

Pressure balance valve (PBV)

Article no: 06 558 12 99

Angle valve with regulating function COMFORT with filter

Article no: 05 430 06 99

Extension cable

Article no: 51 010 00 99