

Article number: 02 802 15 99

WC operating panel EDITION

For SCHELL COMPACT II concealed WC flush valve.

Scope of delivery

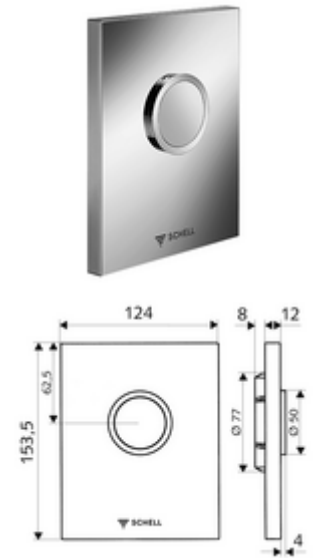
- Designer operating panel
 - Operating button
- Self-closing cartridge with automatic nozzle cleaning needle
- Baffle plate for flow rate regulation
- Installation frame

Technical data

- Single flush: 4.5 - 9.0 l
- Material: Plastic
- Surface: Alpine white; Front panel Alpine white
- Dimensions front plate: w 124 mm x h 153.5 mm x d 12 mm

Delivery data

- Weight: 0,59 kg/Piece
- Packing unit: 1



Necessary associated articles

Concealed WC flush valves COMPACT II	Article no: 01 194 00 99	or
WC module MONTUS	Article no: 03 076 00 99	or