

Article number: 02 804 06 99

## WC operating panel EDITION Eco

For SCHELL COMPACT II concealed WC flush valve. Dual flush.

### Scope of delivery

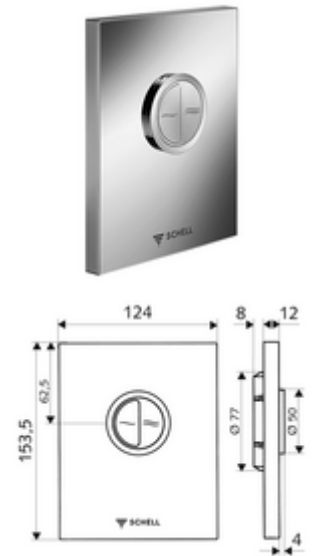
- Designer operating panel
  - Operating buttons for economy/main flush
- Self-closing cartridge with automatic nozzle cleaning needle
- Baffle plate for flow rate regulation
- Installation frame

### Technical data

- Dual flush: Economy flush volume 3 l, Main 4.5 - 9.0 l
- Material: Plastic
- Surface: Chrome; Front panel Chrome
- Dimensions front plate: w 124 mm x h 153.5 mm x d 12 mm

### Delivery data

- Weight: 0,60 kg/Piece
- Packing unit: 1



### Necessary associated articles

Concealed WC flush valves COMPACT II	Article no: 01 194 00 99	or
WC module MONTUS	Article no: 03 076 00 99	or

### Recommended associated articles