

Article number: 02 819 00 99

WC operating panel AMBITION

For SCHELL COMPACT II concealed WC flush valve.

Scope of delivery

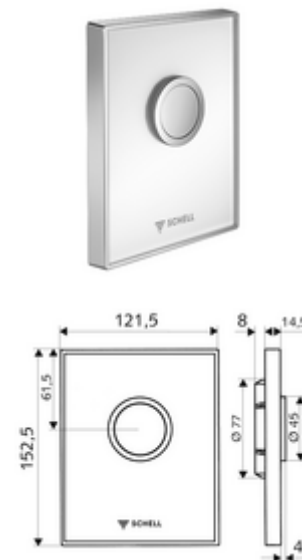
- Designer operating panel made from safety glass
 - Operating button made from brass
- Self-closing cartridge with automatic nozzle cleaning needle
- Baffle plate for flow rate regulation
- Installation frame

Technical data

- Single flush: 4.5 - 9.0 l
- Material: Actuation Brass; Front panel Safety glass (ESD); Frame Plastic
- Surface: Actuation Chrome; Front panel White; Frame Chrome
- Dimensions front plate: w 121.5 mm x h 152.5 mm x d 14.5 mm

Delivery data

- Weight: 0,79 kg/Piece
- Packing unit: 1



Necessary associated articles

Concealed WC flush valves COMPACT II	Article no: 01 194 00 99	or
WC module MONTUS	Article no: 03 076 00 99	or

Hint

- Discontinued article, as long as stocks last