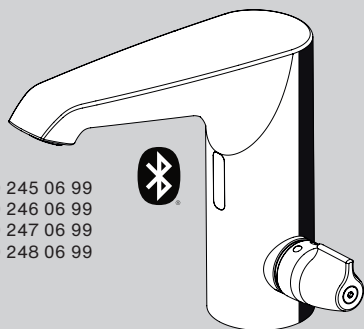


SCHELL XERIS E²-T



00 245 06 99

00 246 06 99

00 247 06 99

00 248 06 99

EN Installation manual

- The product is intended for indoor use only.
- Only use the product in frost-free areas.
- Installation must be carried out by qualified personnel.
- Observe the standards and regulations applicable in the area of use.



WARNING

Risk of injury from electricity!

Improper handling of the product can lead to electric shock.

- Installation, repair and replacement of electronic components may only be carried out by trained, qualified electricians.
- Switch off all affected fuses before working on the electronics. Protect the fuse from being switched on again.
- Check the product for damage before working on and using it. Do not install or use the product if an electronic component is defective. Do not touch defective and live parts under any circumstances!

Safety instructions for batteries

Remove batteries before storage of device / Immediately seek medical advice if swallowed / Do not mix used and new batteries / Do not mix different brands or types / Check for correct polarity (+/-) / Keep away from children / Do not swallow / Do not dispose in fire / Do not disassemble / Do not recharge / Battery can explode or leak if shorted.

Installation instructions

Please consult the SCHELL „General installation conditions“ available at www.schell.eu -> Service/Downloads/Installation instructions.

Dimensioning and protection of drinking water

Make sure there is sufficient allowance for dimensions in line with DIN 1988 section 300 and EN 806-3. DIN 1988 section 100 (protection of drinking water; preservation of drinking water quality) and EN 1717 (protection of drinking water against contaminants in drinking water installations) are to be observed.

Water qualities

SHELL fittings are suitable for use in drinking water systems in accordance with the current German Drinking Water Ordinance.

Depending on the system, there are sensitive parts within the fittings that need to be protected against dirt particles and limescale deposits. If necessary, back-wash filters and decalcification systems are to be provided (water upwards of 10° dH). All products from Schell can be used with all potable waters in accordance with the EU Drinking Water Directive. Applicable national regulations about general partial water softening for drinking water must be observed.

General installation instructions

Use corrosion resistant pipe materials. Only seal threads with permitted sealants. Do not exceed standard torque!

Protection against legionella

Measures must be taken to protect against legionella in accordance with the standards listed above. SCHELL electronic taps can support this by means of automatic stagnation flushing. In the case of rarely or irregularly used taps, care must be taken to ensure that stagnation flushes with a sufficiently long flush duration and closely timed flush interval are used in order to completely guarantee the water change in the system required by the standards. In the event of service interruptions, various measures must be implemented at the beginning and end depending on the duration (see VDI 3810).

Special attention must be paid to installations for people with immune deficiencies.

Notes on start-up

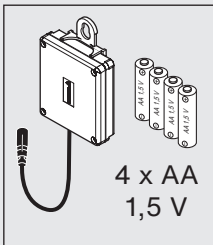
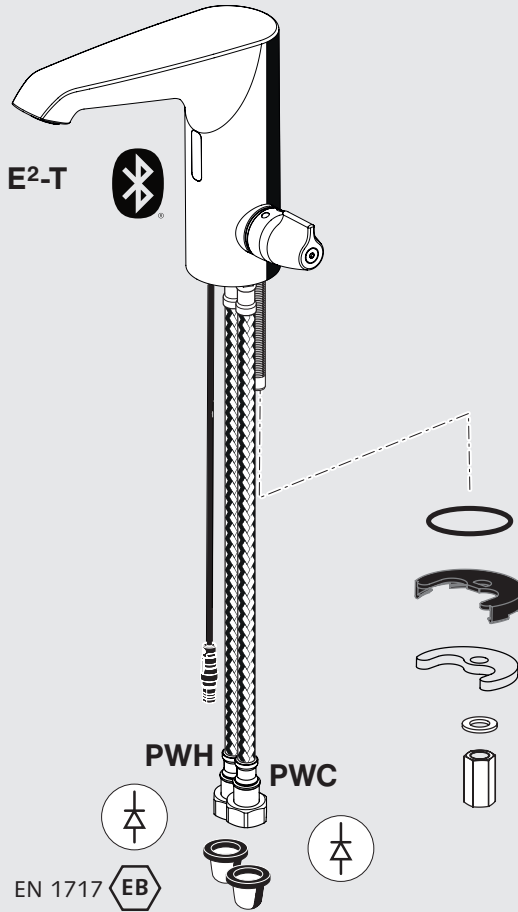
Before start-up, all pipes must be flushed in accordance with the ZVSHK worksheet, DIN 1988-200 or EN 806-4. Each fitting must be subjected to a leak test after installation. If possible, carry out the pressure test with compressed air.

Instructing the operator

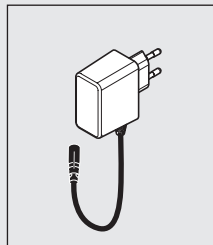
Instruct the operator in accordance with VDI 6023.

Quick information for the electrician

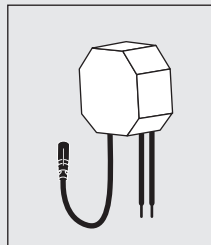
Observe IEC 60364 (VDE 0100).



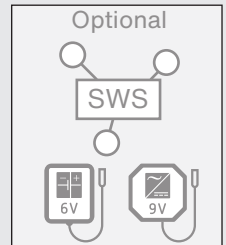
00 246 06 99



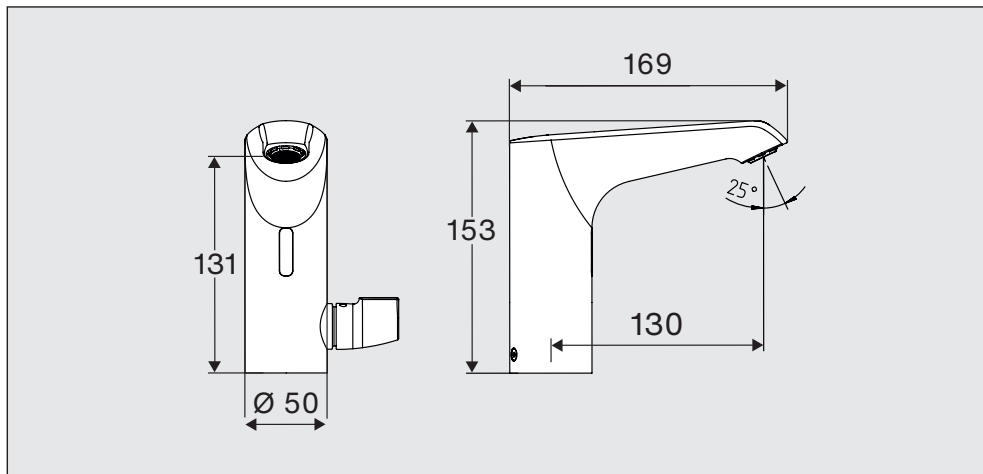
00 247 06 99



00 248 06 99



00 245 06 99



EN Technical specifications

Flow pressure 0,5 – 5,0 bar

Flow rate max. 5 l/min, independent of pressure




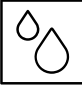

Resting pressure max. 8,0 bar

Operating temperature MODUS EH max. 70 °C (HD-M)

Thermal disinfection max. 80 °C (HD-M)

⚠ WARNING: DANGER OF SCALDING!

Factory settings

	Sensor setting	Comfort
	Stagnation flush	Off
	Thermal disinfection	Off
	Continuous run	Off
	Cleaning stop	Off

Settings are made with the SCHELL app.



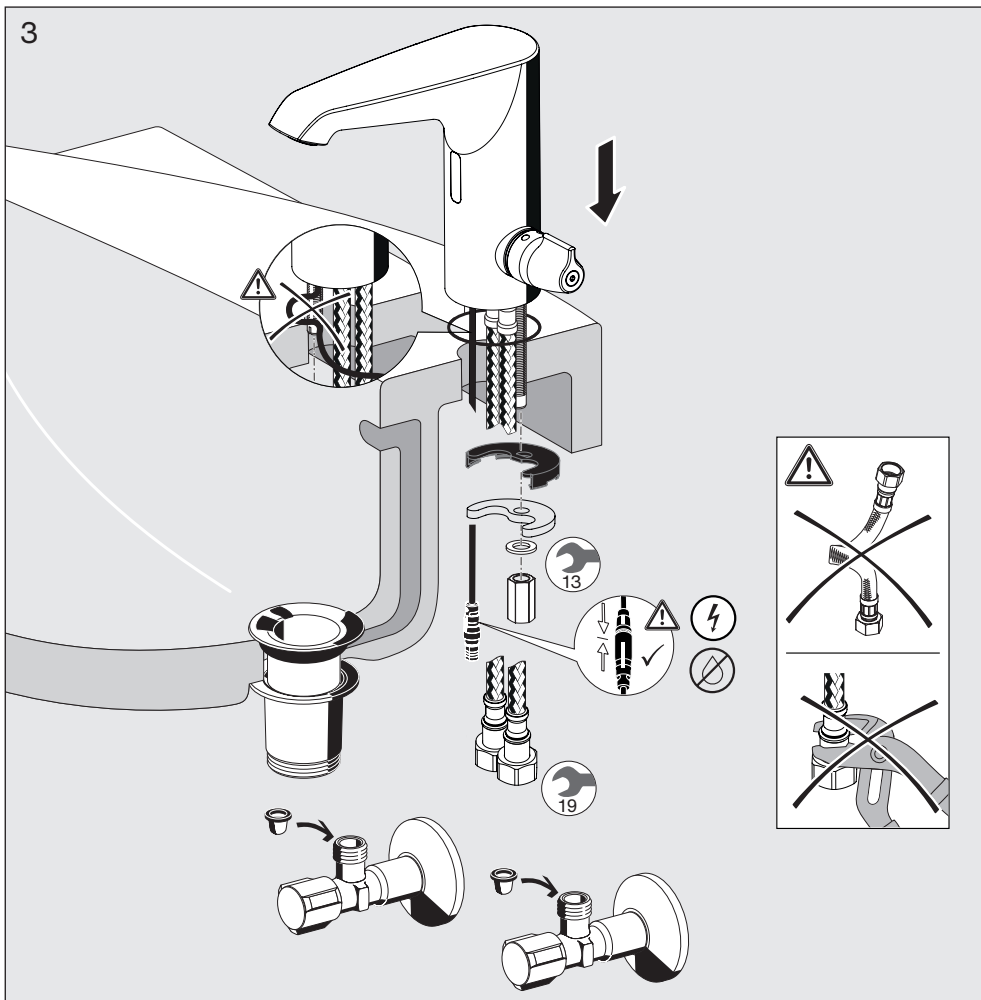
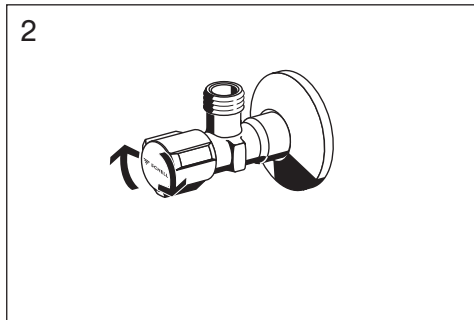
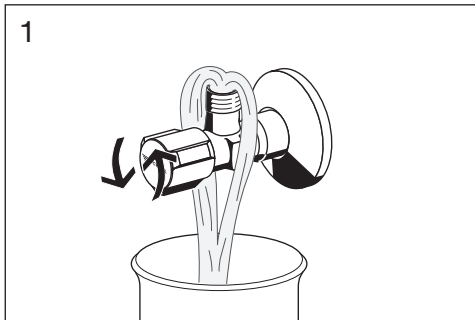
SCHELL App

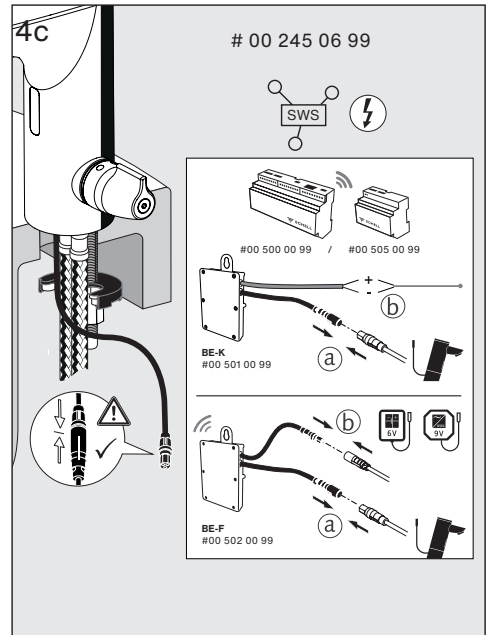
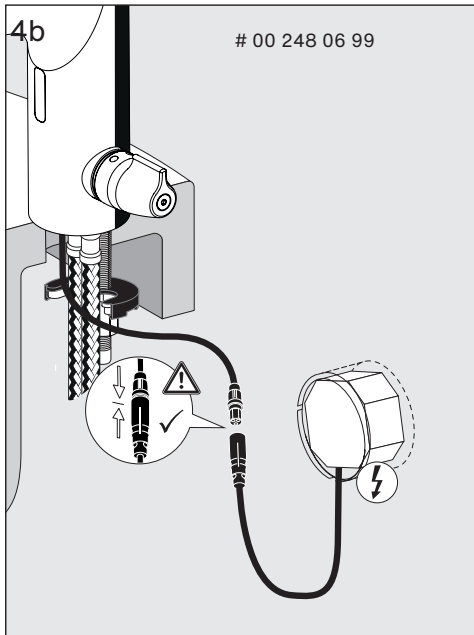
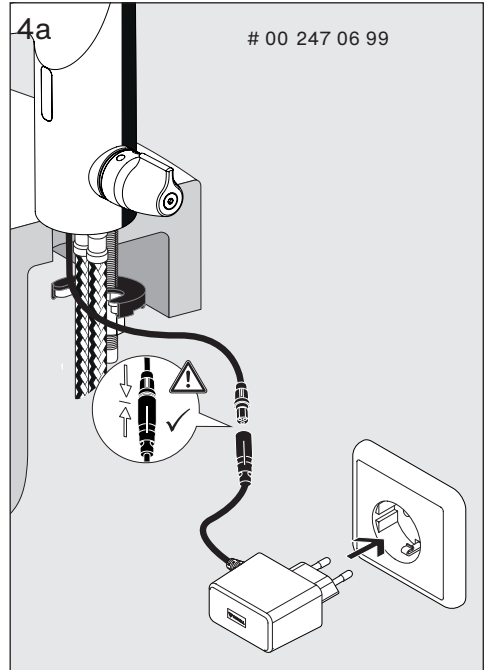
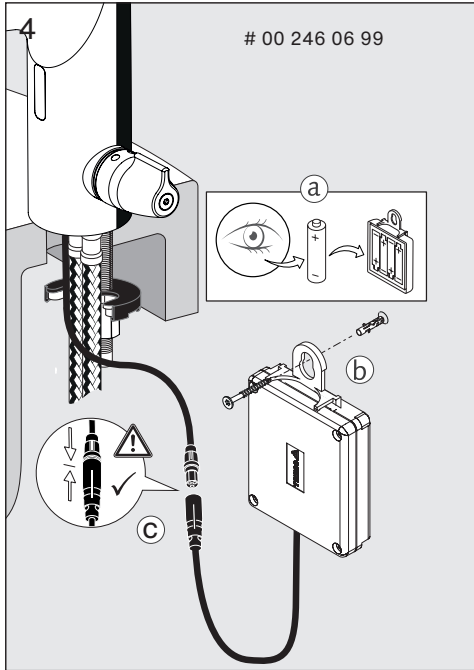


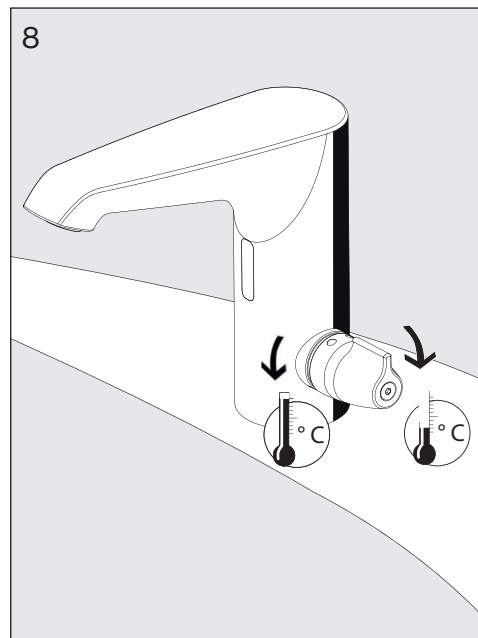
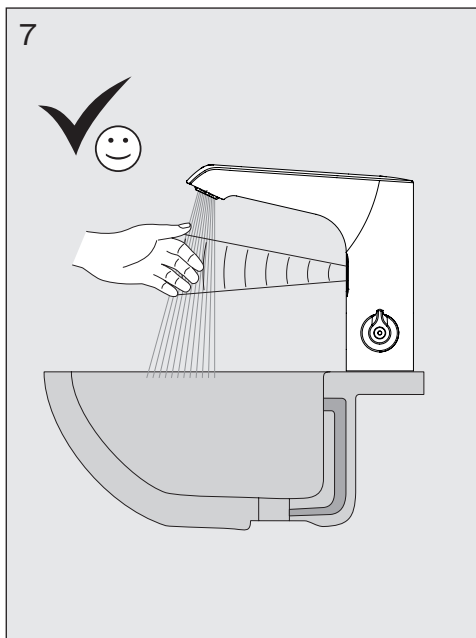
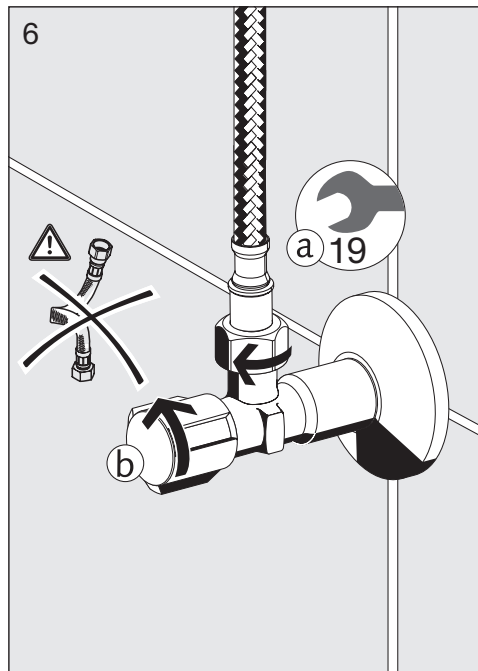
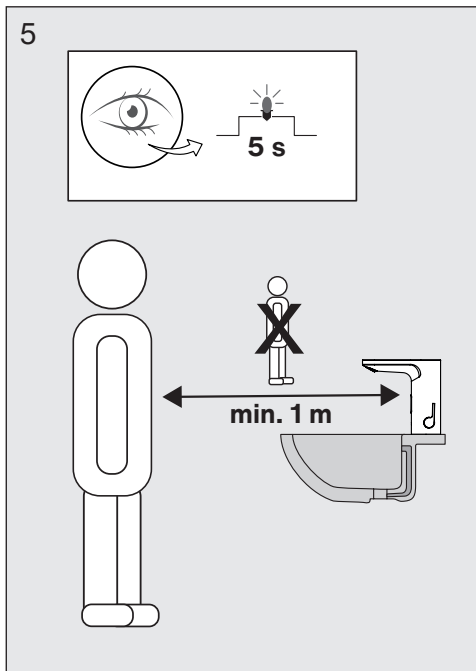
App Store

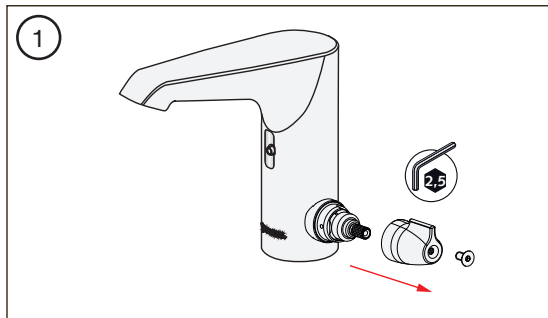


Google Play



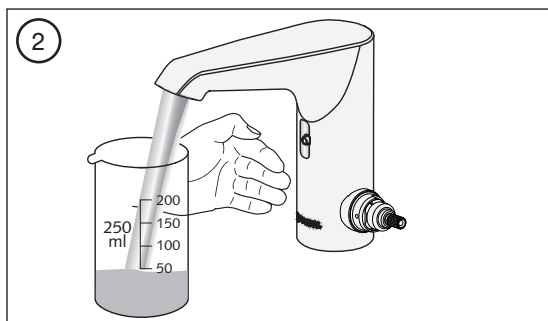




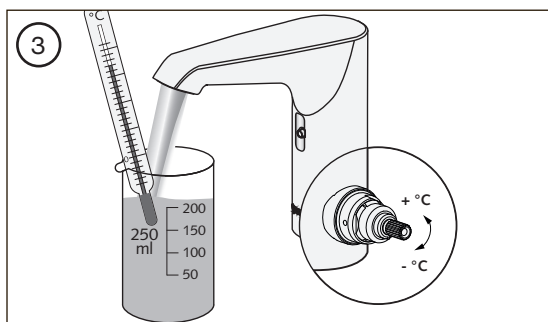


The thermostat is set to a maximum of 38 °C at the factory. Only adjust the maximum temperature if necessary.

1. Remove the rotary handle.

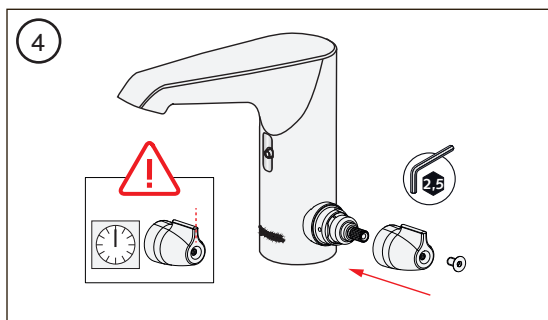


2. Start the water flow by activating the electronics.

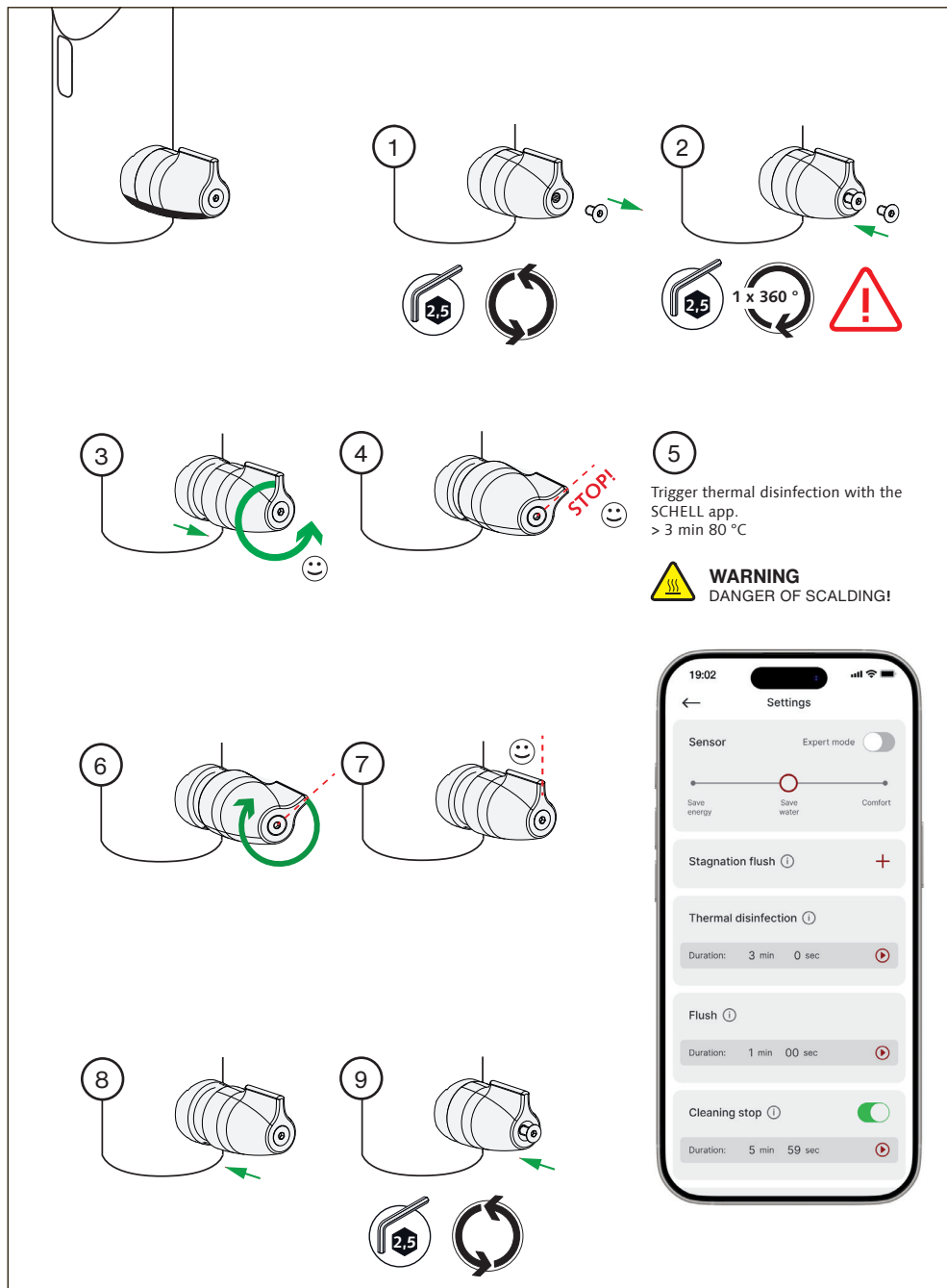


3. Adjust the thermostat so that the desired maximum temperature flows constantly.

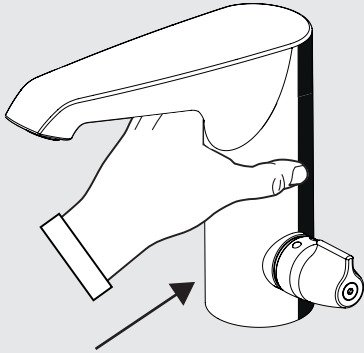
- Turn the spindle on the thermostat clockwise to lower the temperature.
- Turn the spindle on the thermostat anticlockwise to increase the temperature.



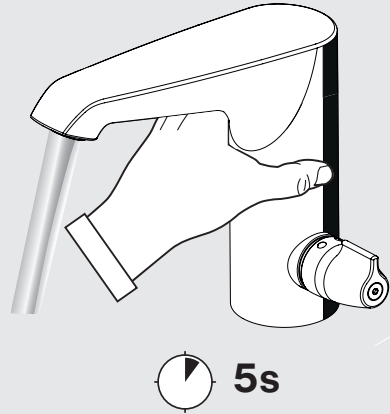
4. Place the rotary handle in the 12 o'clock position on the thermostat and install it.



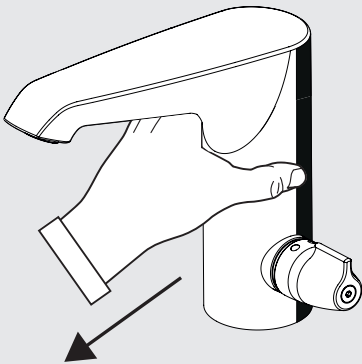
1



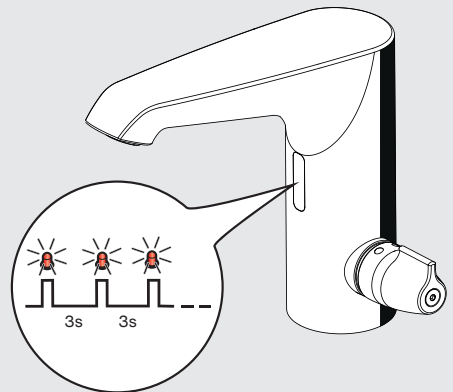
2



3



4



For cleaning, use only soft cleaning cloths and standard, commercially-available cleaners and disinfectants without abrasive additives that are approved for the cleaning of chrome-plated plastic and brass.

CAUTION - Risk of damage to the product! Do not clean with steam cleaners!

For general care instructions, please see www.schell.eu.

SCHELL GmbH & Co. KG
Raiffeisenstraße 31
57462 Olpe
Germany
Tel.: +49 2761 892-0
Fax: +49 2761 892-199
info@schell.eu
www.schell.eu

